

G 2062



SERVICE MANUAL



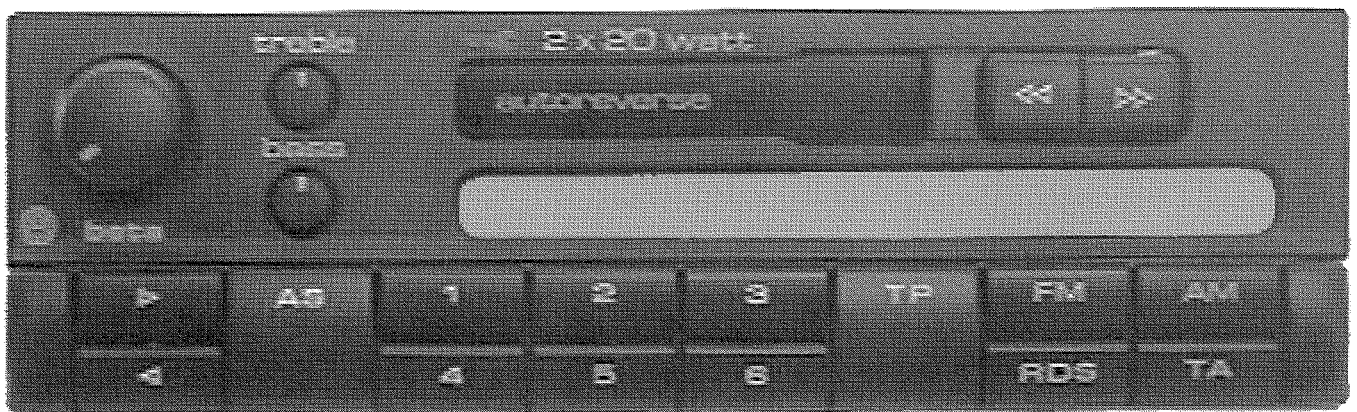
Service Manual

© Btx ★ 32700 #

Sach-Nr./Part no.
72010-736.30

VW BETA 4

made by **GRUNDIG**



VW BETA 4 (TN 1HO 035 152 / G.SD 11-00)



Inhaltsverzeichnis

Table of Contents

	Seite
Allgemeiner Teil	1-2
Platinenabbildungen und Schaltpläne	2-1...2-4
Platinenabbildungen	2-1
Schaltpläne	2-2
Explosionszeichnungen und Ersatzteillisten	3-1...3-6

	Page
General Section	1-2
Layout of the PCBs and Circuit Diagrams	2-1...2-4
Layout of PCBs	2-1
Circuit Diagrams	2-2
Exploded Views and Spare Parts Lists	3-1...3-6

Bestückungskordinaten der Hauptplatte

Assembly coordinates of the Main Board

Koordinaten für die Bauteile der Oberseite

Coordinates of the components on the top side

Pos.-Nr./ Pos. No.	Koordinaten/ Coordinates		Pos.-Nr./ Pos. No.	Koordinaten/ Coordinates		Pos.-Nr./ Pos. No.	Koordinaten/ Coordinates		Pos.-Nr./ Pos. No.	Koordinaten/ Coordinates		Pos.-Nr./ Pos. No.	Koordinaten/ Coordinates				
	X	Y		X	Y		X	Y		X	Y		X	Y	X	Y	
CC0026	133	23	CC1513	51	156	CR0119	131	75	CR0813	37	85	CR1108	46	22	CR2353	120	105
CC0106	123	73	CC1516	54	161	CR0121	122	79	CR0816	34	85	CR1109	49	22	CR2354	125	101
CC0108	127	71	CC1518	51	161	CR0122	121	75	CR0817	32	85	CR1110	28	22	CR2401	69	4
CC0109	127	73	CC1603	57	168	CR0209	103	91	CR0818	29	85	CR1111	30	22	CR2404	74	23
CC0110	128	78	CC2006	120	115	CR0215	94	91	CR0819	27	85	CR1113	67	26	CR2411	60	7
CC0112	131	80	CC2053	32	108	CR0221	101	91	CR0821	24	85	CR1302	53	145	CR2412	76	4
CC0113	131	77	CC2057	31	115	CR0227	91	91	CR0822	22	85	CR1311	52	137	CR2413	76	6
CC0208	102	88	CC2060	16	121	CR0228	96	97	CR0823	19	85	CR1312	55	137	CR2414	72	11
CC0212	92	88	CC2061	19	113	CR0501	19	34	CR0824	15	76	CR1506	49	161	CT0003	129	62
CC0216	104	95	CC2102	129	112	CR0601	108	19	CR0826	15	74	CR1511	49	156	CT0102	118	79
CC0221	99	95	CD0601	111	19	CR0610	83	20	CR0827	15	71	CR1515	51	168	CT0202	88	88
CC0501	22	35	CD0603	85	16	CR0611	105	19	CR0828	14	69	CR1516	51	165	CT0604	80	23
CC0609	86	20	CD0608	80	32	CR0613	83	24	CR0843	49	76	CR1601	68	155	CT0702	49	106
CC0631	78	45	CD1301	58	138	CR0614	76	23	CR0851	40	52	CR1604	66	155	CT0703	73	89
CC0632	84	31	CD2201	20	148	CR0615	79	19	CR0852	38	52	CR1605	63	156	CT0709	70	97
CC0649	84	54	CD2402	60	10	CR0639	83	28	CR0853	35	52	CR1606	63	151	CT0802	19	48
CC0712	74	94	CIC0501	19	25	CR0643	84	34	CR0854	33	50	CR1607	60	150	CT0901	64	44
CC0723	68	103	CIC0701	58	96	CR0661	80	55	CR0860	28	50	CR2055	37	108	CT1302	53	141
CC0724	68	106	CIC0801	30	68	CR0664	84	57	CR0861	30	50	CR2056	37	110	CT1601	67	151
CC0809	14	66	CIC0901	58	35	CR0705	49	91	CR0862	25	50	CR2108	130	118	CT2102	130	124
CC0813	48	66	CIC1101	37	22	CR0708	67	89	CR0873	30	46	CR2109	130	120	CT2103	126	122
CC0904	55	29	CIC1501	41	160	CR0709	69	89	CR0874	33	42	CR2110	130	128	CT2204	10	143
CC0906	44	35	CIC2051	36	116	CR0710	52	79	CR0876	33	46	CR2111	126	125	CT2206	113	112
CC0913	67	44	CIC2052	15	115	CR0727	72	103	CR0904	60	29	CR2210	18	145	CT2351	116	106
CC0914	62	48	CIC2301	15	98	CR0728	73	101	CR0911	70	32	CR2212	10	140	CT2352	120	100
CC1101	39	7	CIC2401	68	17	CR0729	69	101	CR0919	67	48	CR2213	108	112	CT2354	116	102
CC1104	34	7	CR0008	119	12	CR0731	70	94	CR0921	65	48	CR2216	118	115	CT2401	80	4
CC1109	28	18	CR0016	131	58	CR0802	69	70	CR0922	19	44	CR2304	11	117	CT2403	66	9
CC1111	49	18	CR0017	128	57	CR0811	42	85	CR1101	41	7	CR2351	125	105	CT2404	72	7
CC1511	54	156	CR0113	132	71	CR0812	39	85	CR1104	36	7	CR2352	123	105			

Koordinaten für die Bauteile der Unterseite

Coordinates of the components on the bottom side

Pos.-Nr./ Pos. No.	Koordinaten/ Coordinates		Pos.-Nr./ Pos. No.	Koordinaten/ Coordinates		Pos.-Nr./ Pos. No.	Koordinaten/ Coordinates		Pos.-Nr./ Pos. No.	Koordinaten/ Coordinates		Pos.-Nr./ Pos. No.	Koordinaten/ Coordinates				
	X	Y		X	Y		X	Y		X	Y		X	Y	X	Y	
CC0000	40	11	CC0214	53	88	CC0654	32	43	CC1504	98	166	CD0001	5	18	CR0104	6	63
CC0003	19	26	CC0215	38	68	CC0658	31	63	CC1506	98	164	CD0002	25	27	CR0106	10	64
CC0006	15	7	CC0217	52	70	CC0701	86	87	CC1508	101	155	CD0004	20	36	CR0114	22	62
CC0007	21	27	CC0218	55	70	CC0702	91	87	CC1509	93	148	CD0006	7	27	CR0116	27	63
CC0008	14	30	CC0219	52	77	CC0704	75	88	CC1514	100	158	CD0201	41	72	CR0117	23	68
CC0009	21	39	CC0222	25	83	CC0711	82	100	CC1519	97	153	CD0602	23	6	CR0120	27	74
CC0011	22	43	CC0507	116	26	CC0713	95	89	CC1550	98	161	CD2004	12	128	CR0123	9	90
CC0012	20	43	CC0509	124	26	CC0714	77	109	CC1551	100	150	CD2101	9	119	CR0124	17	90
CC0013	25	40	CC0512	115	16	CC0802	124	73	CC1601	89	167	CD2401	28	4	CR0126	31	67
CC0014	14	38	CC0513	126	16	CC0803	115	84	CC1602	89	163	CIC0101	12	75	CR0201	33	67
CC0016	19	49	CC0514	124	23	CC0804	113	84	CC1604	82	166	CL0002	16	25	CR0202	36	78
CC0017	14	43	CC0602	32	11	CC0806	120	84	CC1605	74	159	CL0606	58	28	CR0203	49	67
CC0018	11	43	CC0604	32	21	CC0807	124	76	CC1606	57	156	CL0801	100	65	CR0206	37	73
CC0022	8	32	CC0608	42	16	CC0808	124	71	CC1612	42	163	CL0802	103	67	CR0207	40	64
CC0023	27	36	CC0612	63	23	CC0811	122	62	CC1613	42	166	CR0001	9	21	CR0208	31	79
CC0102	11	50	CC0613	56	23	CC0812	122	55	CC1614	41	161	CR0002	24	31	CR0211	40	80
CC0114	9	86	CC0614	58	19	CC0814	114	49	CC1615	41	158	CR0003	14	25	CR0212	40	77
CC0116	17	86	CC0616	55	27	CC0817	108	69	CC2002	31	120	CR0004	16	38	CR0213	44	79
CC0117	27	66	CC0617	49	10	CC0901	74	30	CC2003	25	120	CR0006	21	15	CR0214	46	79
CC0202	37	63	CC0619	54	33	CC0902	72	38	CC2009	16	128	CR0007	17	15	CR0216	49	79
CC0203	34	79	CC0634	54	50	CC0903	96	28	CC2052	100	113	CR0009	30	30	CR0217	52	80
CC0204	27	89	CC0636	55	29	CC0905	87	29	CC2054	104	116	CR0010	17	63	CR0218	28	85
CC0205	30	89	CC0637	48	31	CC0907	89	29	CC2058	109	116	CR0011	21	31	CR0219	37	86
CC0206	28	83	CC0638	49	34	CC0909	88	35	CC2201	131	157	CR0012	6	23	CR0220	47	69
CC0207	40	88	CC0643	48	52	CC0911	74	43	CC2203	126	157	CR0013	27	40	CR0222	35	86
CC0209	29	79	CC0646	49	41	CC0912	88	43	CC2204	126	154	CR0015	10	61	CR0223	21	93
CC0210	25	88	CC0648	34	56	CC1102	103	8	CC2206	120	147	CR0018	13	57	CR0224	44	88
CC0211	25	92	CC0651	40	23	CC1103	105	8	CC2302	123	95	CR0019	13	62	CR0226	49	88
CC0213	47	88	CC0653	36	40	CC1503	103	168	CC2401	69	9	CR0103	6	59	CR0229	53	86

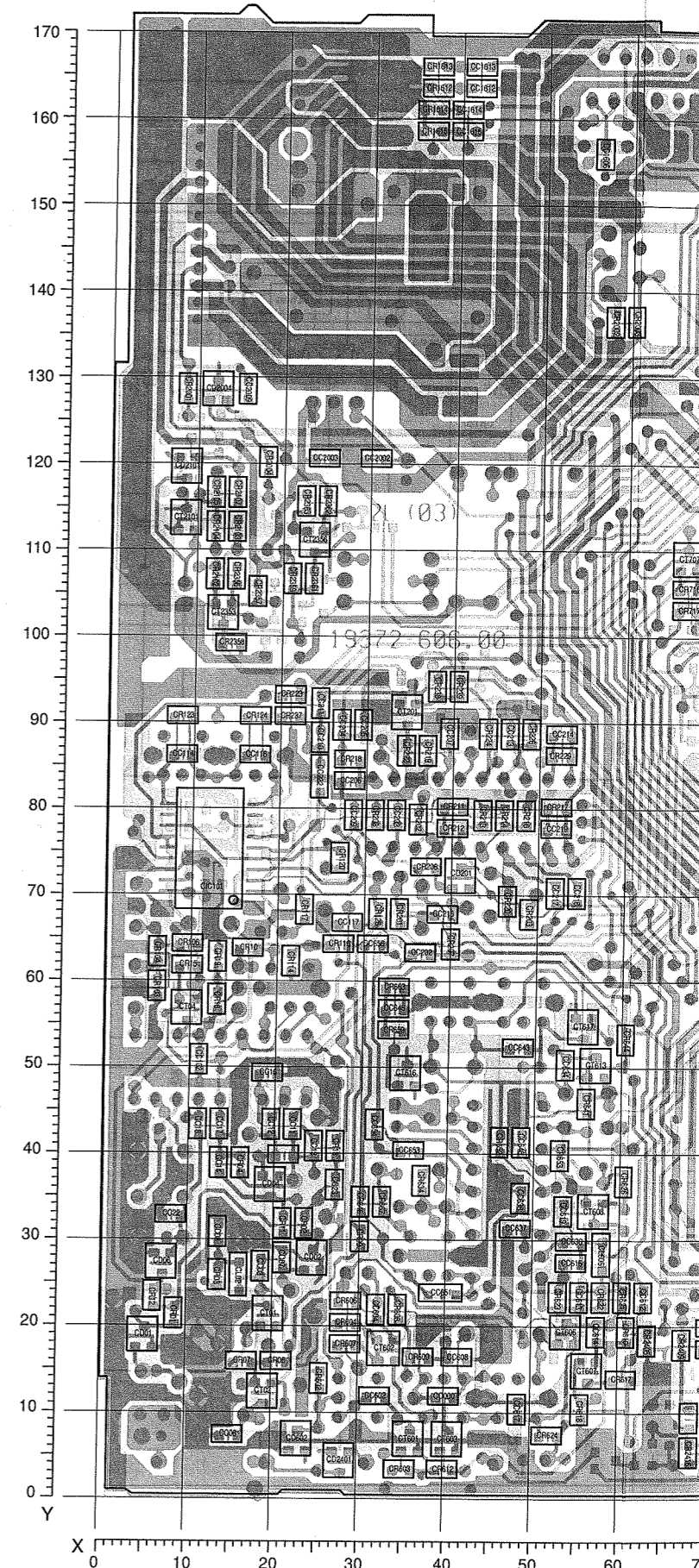
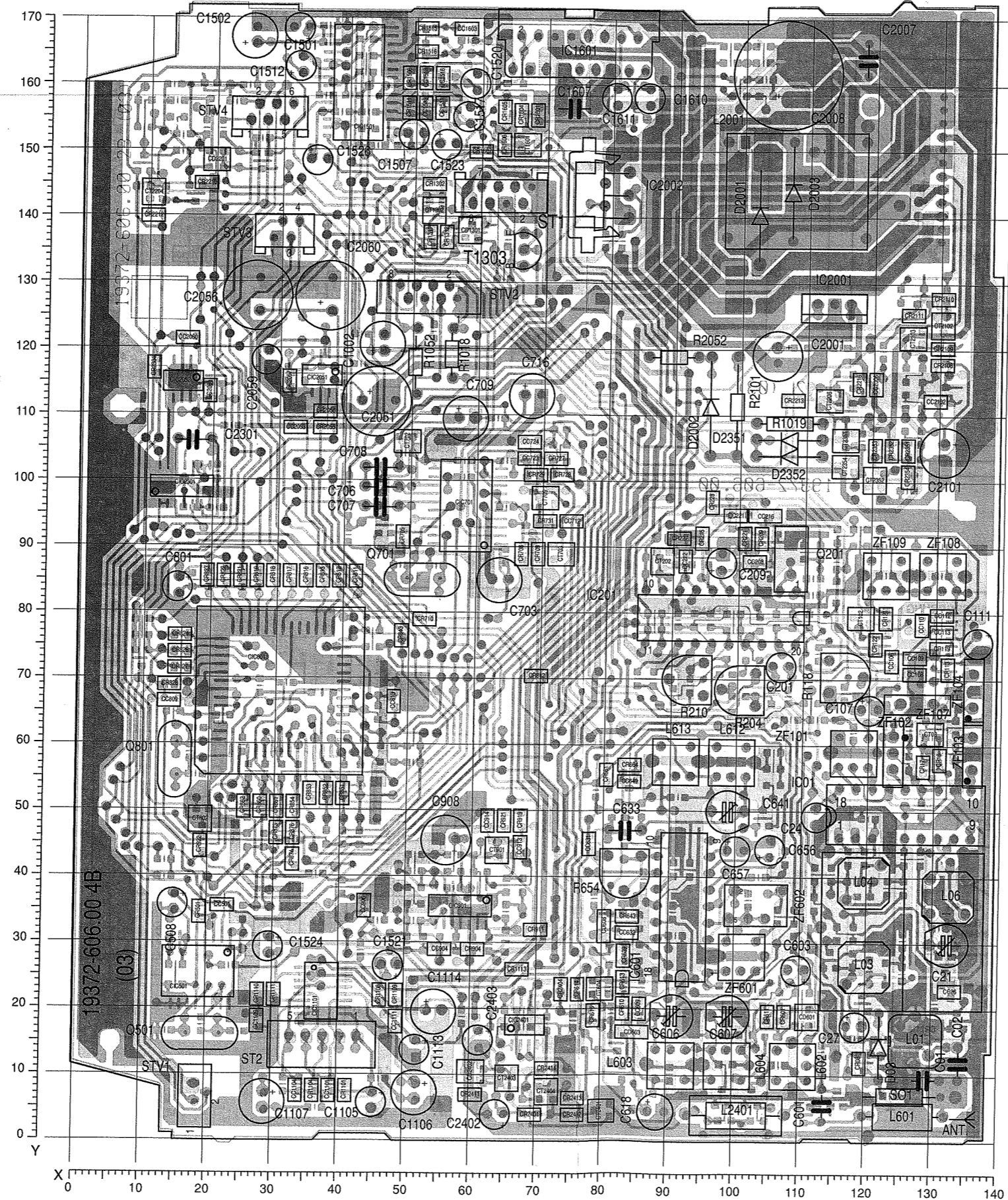
Pos.-Nr./ Pos. No.	Koordinaten/ Coordinates X	Y
-----------------------	----------------------------------	---

Pos.-Nr./ Pos. No.	Koordinaten/ Coordinates X	Y
-----------------------	----------------------------------	---

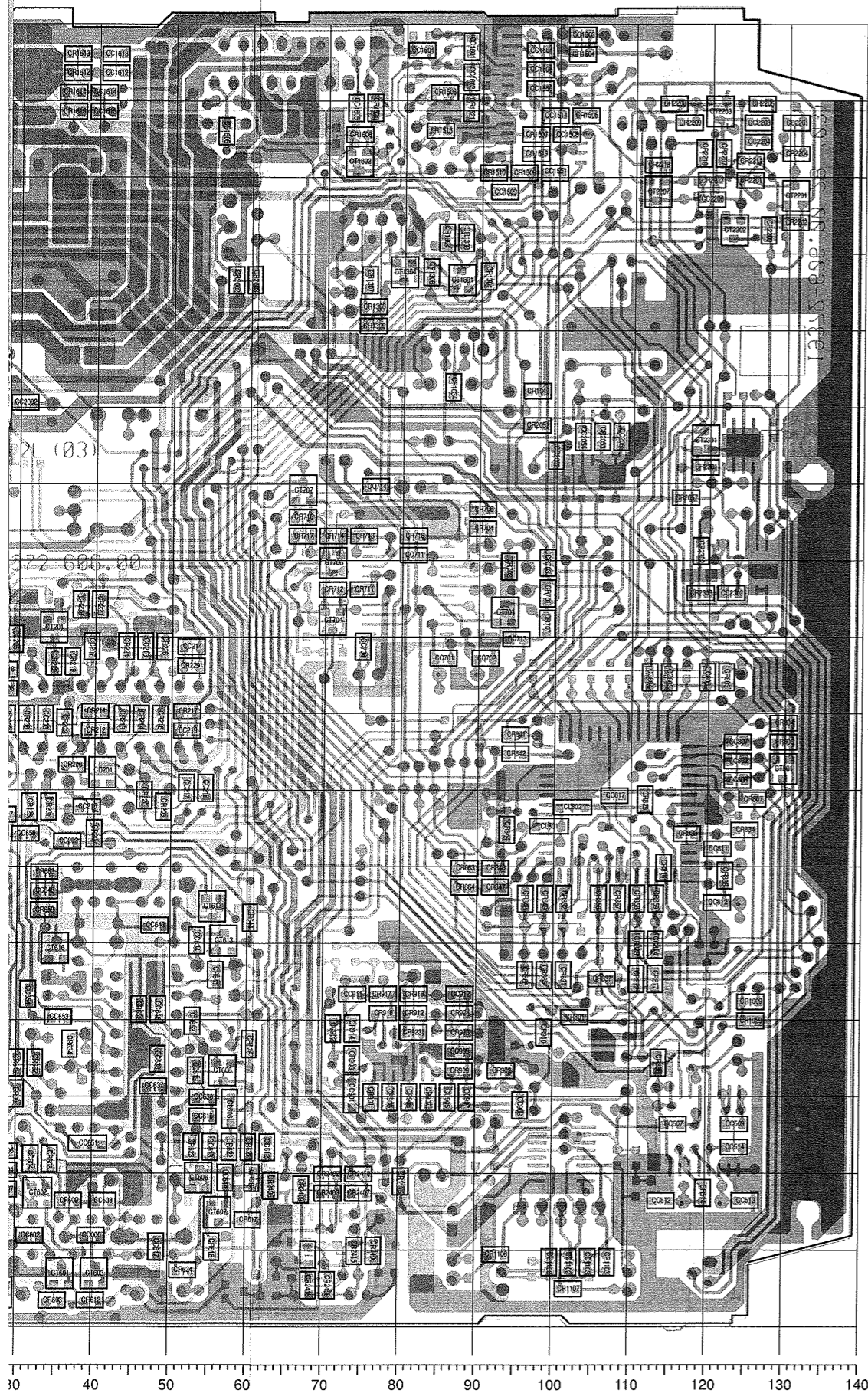
Sicht auf Bestückungsseite
View on Component Side

Sicht auf Lötseite
View on Solder Side

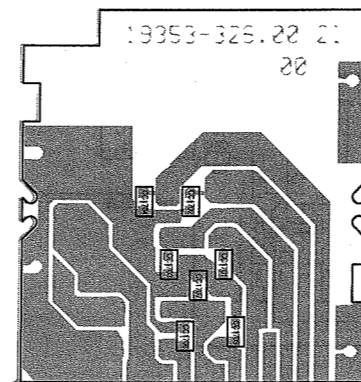
CR0237	21	90	CR1304	86	142
CR0238	38	94	CR1306	84	137
CR0239	41	94	CR1307	76	136
CR0514	120	17	CR1308	76	133
CR0602	26	13	CR1309	76	130
CR0603	35	3	CR1504	103	166
CR0604	29	20	CR1505	104	158
CR0606	29	22	CR1507	97	155
CR0607	29	17	CR1508	85	161
CR0608	35	21	CR1509	96	150
CR0609	37	16	CR1510	92	150
CR0612	40	3	CR1513	85	156
CR0617	61	13	CR1520	76	159
CR0618	56	10	CR1521	89	159
CR0619	61	19	CR1608	74	155
CR0621	61	23	CR1612	37	163
CR0622	58	23	CR1613	37	166
CR0623	53	23	CR1614	37	161
CR0624	52	7	CR1615	37	158
CR0626	61	36	CR2001	9	128
CR0634	37	36	CR2002	58	136
CR0641	56	45	CR2003	61	136
CR0644	61	53	CR2004	18	120
CR0646	30	34	CR2051	98	117
CR0652	46	41	CR2053	106	116
CR0653	53	39	CR2057	117	108
CR0659	34	54	CR2102	12	107
CR0663	34	59	CR2103	15	112
CR0667	33	34	CR2104	12	112
CR0701	99	95	CR2105	12	116
CR0702	94	99	CR2107	15	116
CR0703	99	99	CR2201	125	149
CR0704	91	104	CR2202	131	144
CR0706	91	106	CR2203	128	143
CR0707	99	91	CR2204	131	153
CR0711	75	96	CR2206	127	159
CR0712	71	96	CR2207	122	153
CR0713	75	103	CR2208	115	159
CR0714	71	103	CR2209	117	157
CR0716	67	105	CR2211	125	152
CR0717	67	103	CR2217	120	149
CR0718	82	103	CR2218	113	151
CR0801	103	40	CR2219	119	153
CR0803	123	84	CR2301	120	112
CR0804	130	78	CR2302	119	101
CR0806	130	76	CR2303	119	95
CR0807	126	68	CR2356	15	107
CR0814	115	59	CR2357	17	105
CR0829	112	68	CR2358	14	99
CR0831	102	45	CR2359	21	106
CR0832	102	55	CR2361	24	106
CR0833	118	64	CR2362	25	115
CR0834	125	64	CR2363	23	115
CR0836	114	34	CR2402	71	19
CR0837	107	45	CR2403	71	17
CR0838	123	58	CR2405	64	18
CR0841	95	77	CR2406	77	9
CR0842	95	74	CR2407	75	17
CR0844	94	64	CR2408	71	5
CR0846	93	59	CR2409	68	17
CR0847	93	57	CR2410	75	19
CR0848	97	55	CR2415	75	9
CR0849	99	55	CR2416	69	5
CR0856	106	55	CT0001	20	21
CR0857	109	55	CT0002	19	12
CR0858	111	55	CT0004	10	56
CR0859	114	55	CT0201	35	91
CR0863	89	59	CT0601	36	6
CR0864	89	57	CT0602	33	17
CR0865	99	45	CT0603	41	6
CR0866	97	45	CT0606	54	19
CR0872	111	45	CT0607	57	14
CR0877	114	45	CT0608	57	33
CR0878	111	49	CT0613	57	50
CR0901	77	29	CT0616	35	49
CR0902	94	33	CT0617	56	54
CR0903	74	34	CT0701	94	93
CR0906	79	29	CT0704	71	92
CR0907	84	29	CT0706	71	99
CR0908	82	29	CT0707	67	109
CR0909	88	33	CT0801	130	72
CR0910	99	38	CT1301	88	136
CR0912	82	40	CT1304	80	137
CR0913	88	38	CT1602	74	152
CR0914	74	38	CT2101	9	113
CR0916	78	40	CT2201	131	147
CR0917	78	43	CT2202	123	143
CR0918	82	43	CT2203	121	158
CR0923	82	38	CT2207	113	148
CR0924	88	40	CT2301	120	115
CR1009	126	42	CT2353	13	102
CR1029	126	39	CT2356	24	111
CR1034	87	122			
CR1043	98	122			
CR1102	100	8			
CR1103	108	8			
CR1106	93	9			
CR1107	103	4			
CR1115	81	18			
CR1301	91	137			
CR1303	88	142			



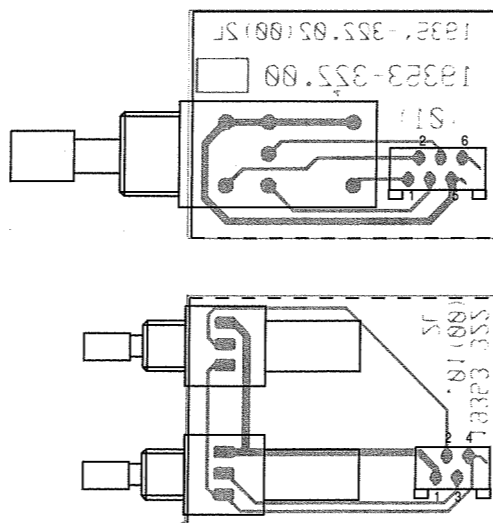
rot: Lötseite
 red: Lötseite
 schwarz: Bestückungsseite
 black: Bestückungsseite



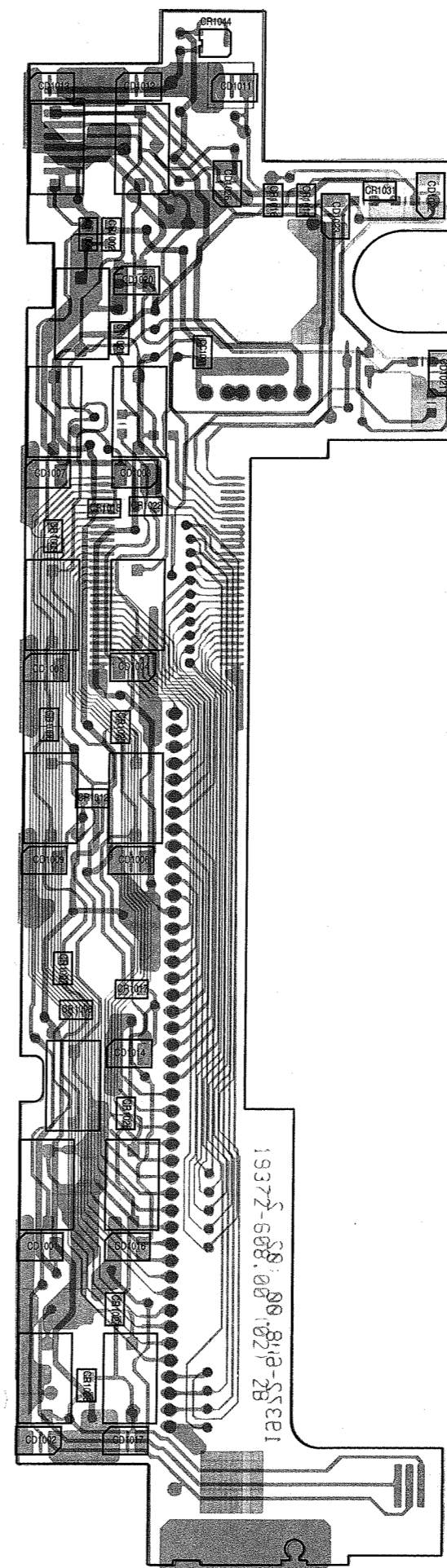
Sicht auf Lötseite
 View on Solder Side



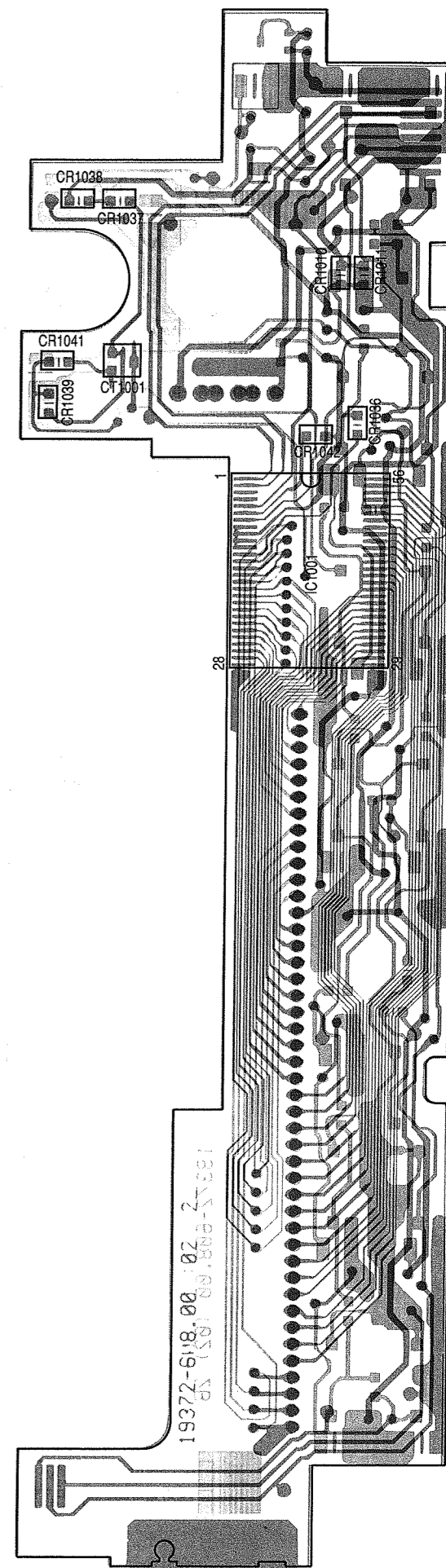
Sicht auf Bestückungsseite
 View on Component Side

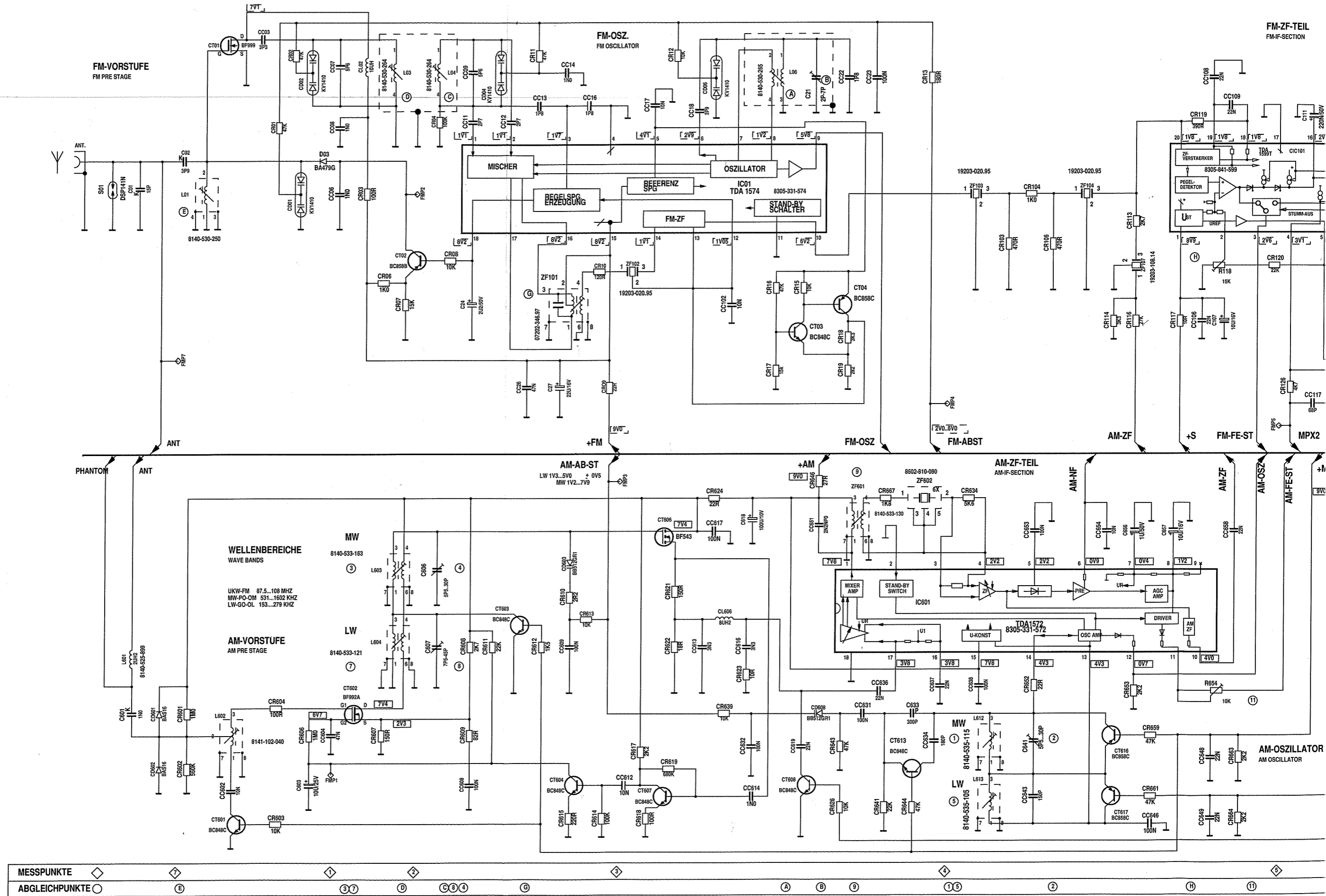


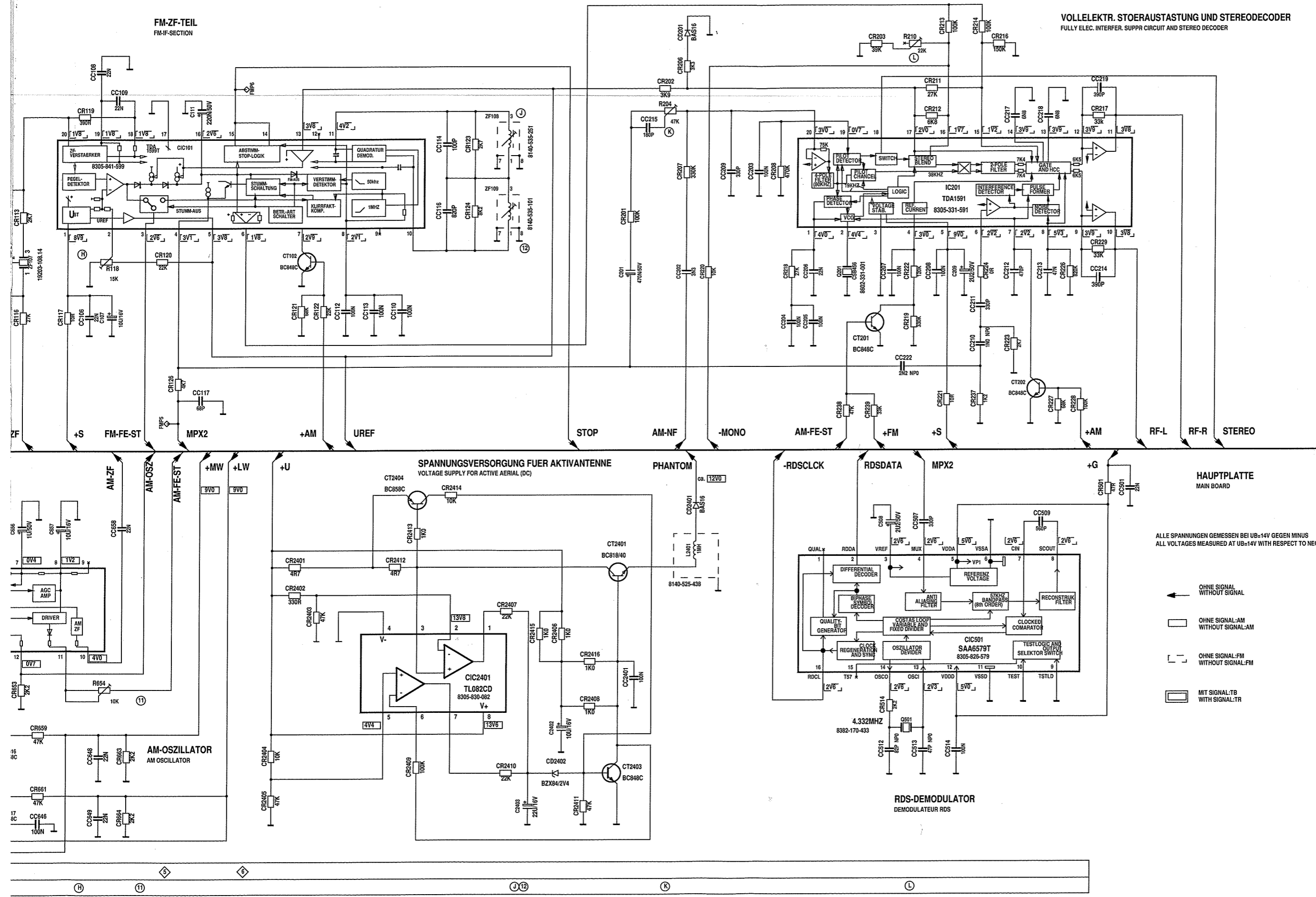
Sicht auf Lötseite
 View on Solder Side

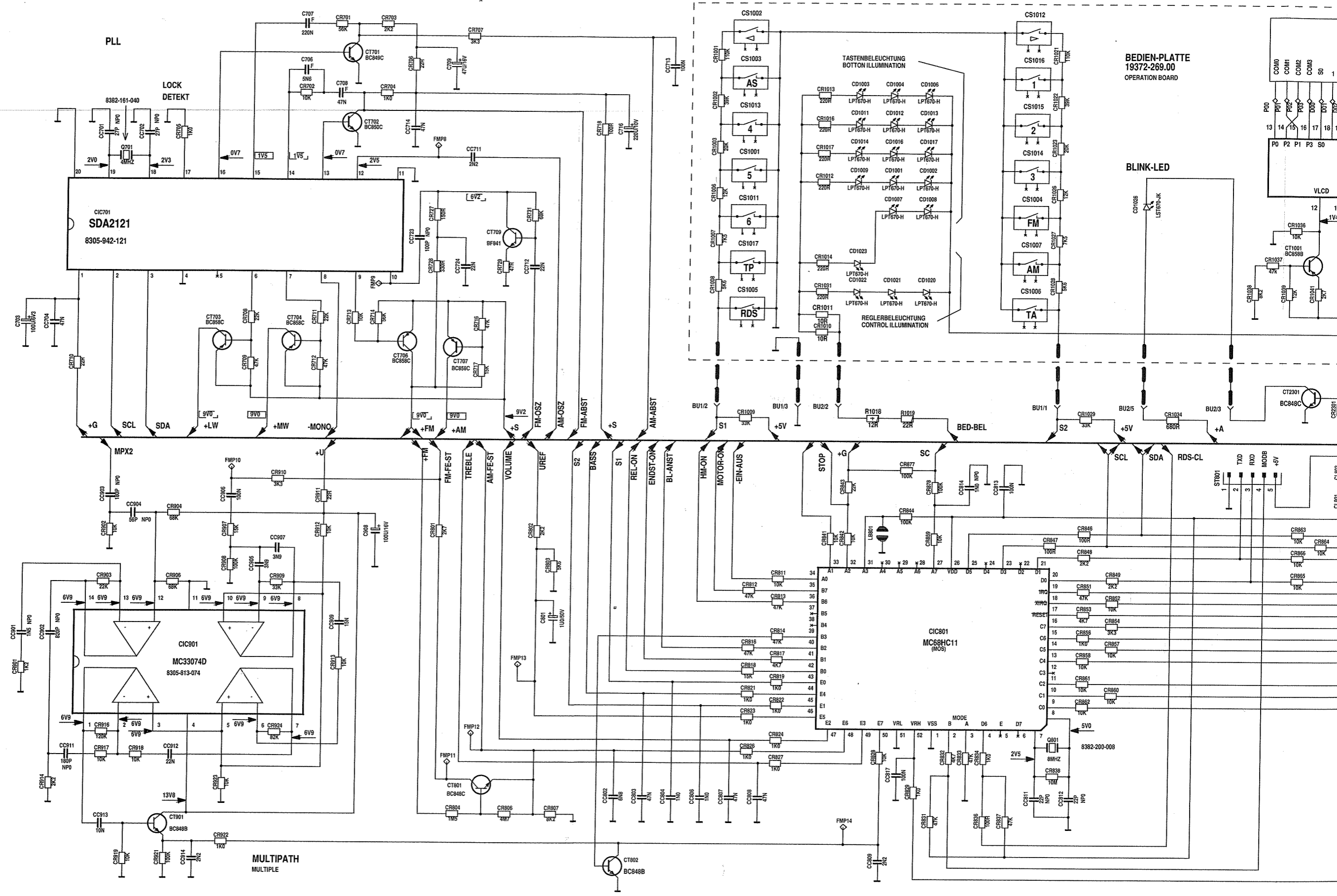


Sicht auf Bestückungsseite
 View on Component Side









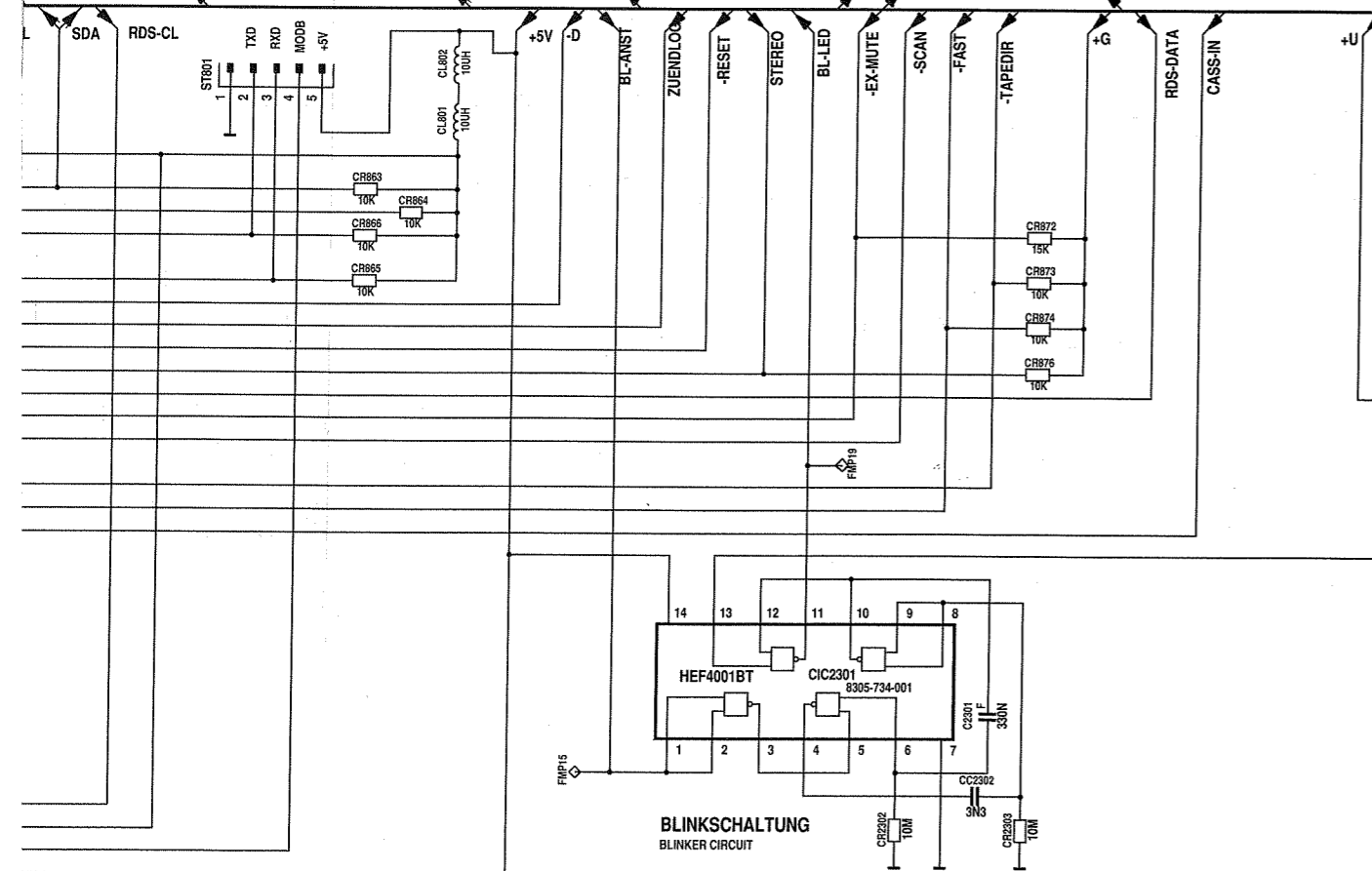
MESSPUNKTE 5 9 13 17 19

ABGLEICHPUNKTE

BEDIEN-PLATTE
19372-269.00
OPERATION BOARD

BLINK-LED

5V



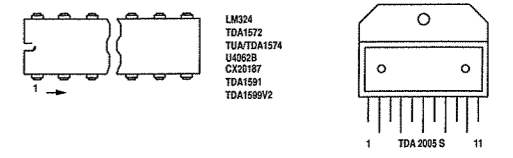
5V-REFERENZ
5V REFERENCE

5V-GESCHALTET
5V SWITCHED

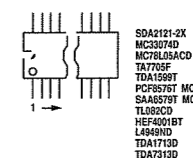
BLINKSCHALTUNG
BLINKER CIRCUIT

ZUENDLOGIK
IGNITION LOGIC

ÄNDERUNGEN VORBEHALTEN
SUBJECT TO ALTERATION



- WIDERSTAND/RESISTOR
- KSW 0204 DIN
 - MSW 0204 DIN
 - KSW 0207 DIN
 - MSW 0207 DIN
 - MSW 0414 DIN
 - KSW 0411 DIN
 - KSW 0517 DIN
 - MSW 0309 DIN
 - DRAHT WIRE
 - METALLOXYDSCHICHT METAL OXYDE
 - RAUSCHARM LOW NOISE
 - SCHWER ENTLAMBAR LOW FLAMMABILITY
 - NTC



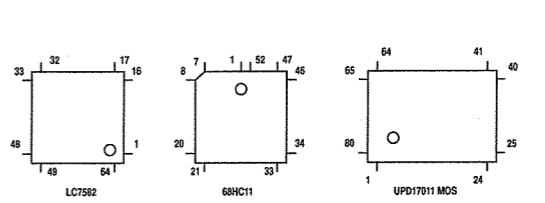
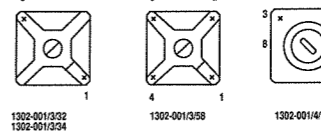
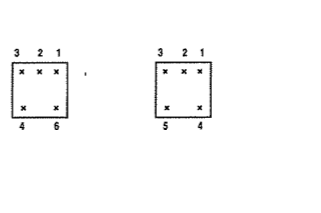
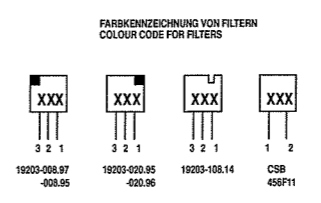
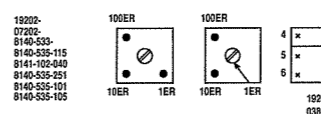
ACHTUNG!
VORSICHTIG BEIM UMGANG MIT MOS-BAUTEILEN BEACHTEN!
ATTENTION!
OBSERVE MOS COMPONENT HANDLING INSTRUCTIONS WHEN SERVICING!

- KONDENSATOR/CAPACITOR
- ELKO ELECTROLYTIC
 - TANTAL ELKO TANTALUM ELECTROLYTIC
 - FOLIE FOIL
 - KERAMIK CERAMIC
 - POLYPROPYLEN (KS-PP)
 - BIPOLAR

KENNZEICHNUNG VON CHIP-BAUTEILEN CODING OF CHIP-COMPONENTS

CC=CHIP-KONDENSATOR/-CAPAZITOR
CR=CHIP-WIDERSTAND/-RESISTOR
CD=CHIP-DIODE/-DIODE
CT=CHIP-TRANSISTOR
CL=CHIP-SPULE/-COIL
CRJ=JUMPER

- SW = SCHWARZ BLACK
- BN = BRAUN BROWN
- RT = ROT RED
- GE = GELB YELLOW
- GN = GRÜN GREEN
- BL = BLAU BLUE
- VI = VIOLETT VIOLET
- GR = GRAU GREY
- WS = WEISS WHITE
- RS = ROSA PINK
- OR = ORANGE
- NF = NATURFARBEN NATURAL COLOUR



VON OBEN GESEHEN
TOP VIEW

